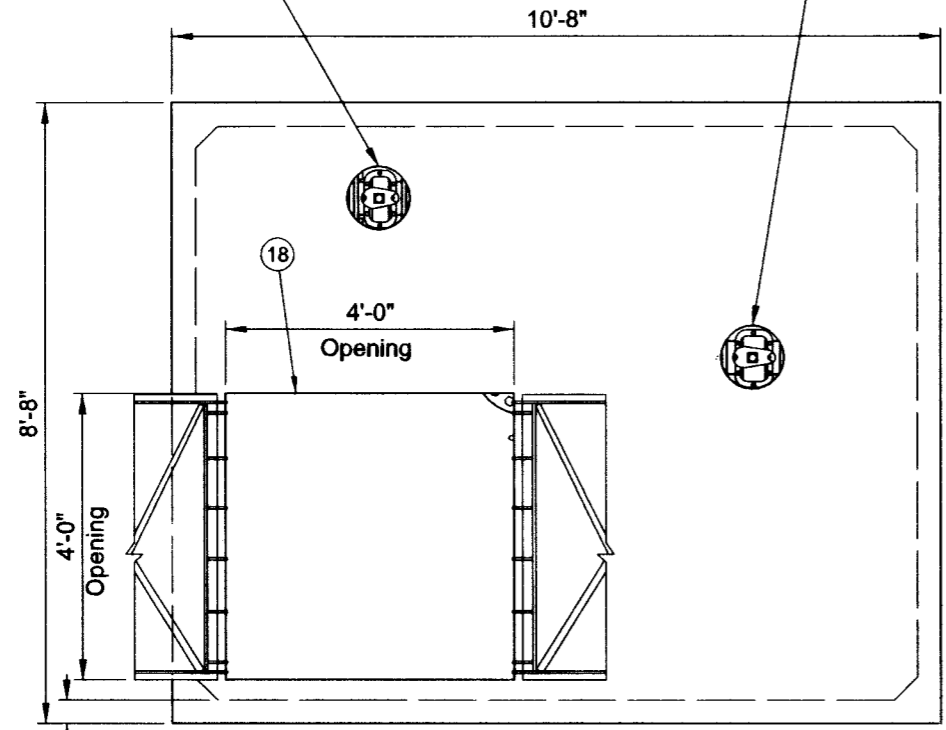


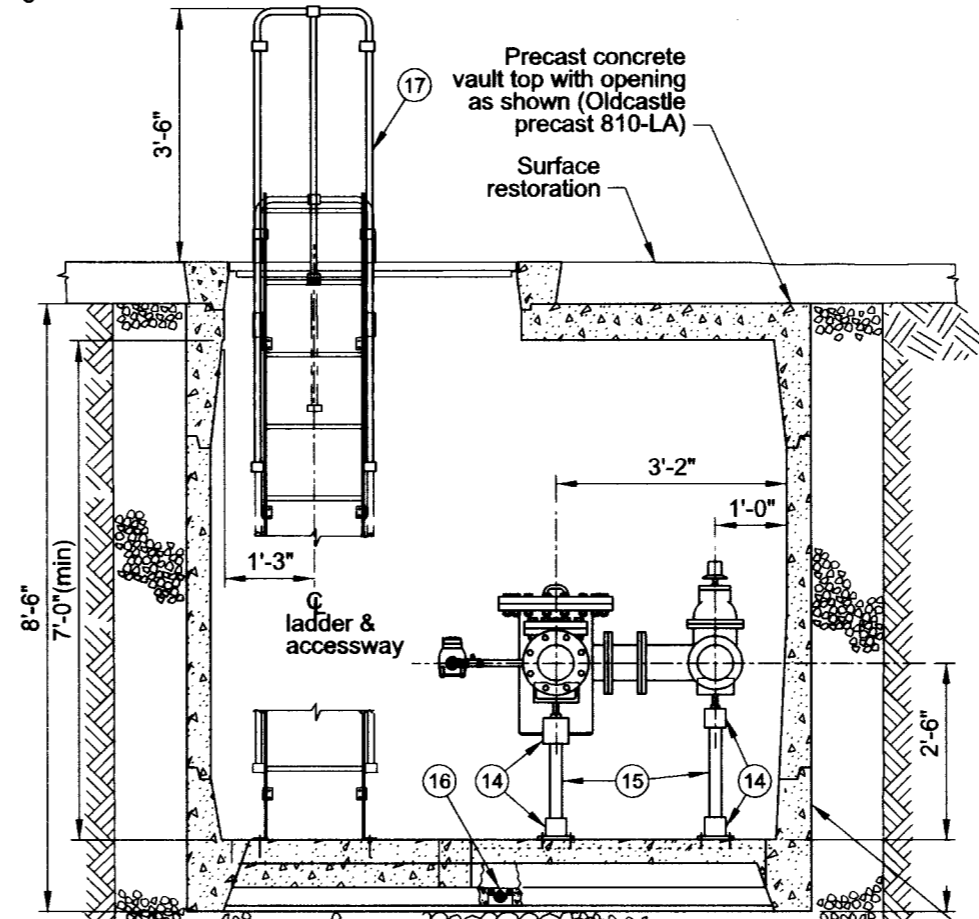
Valve box and cover (CIV) core and center over bypass 6" gate valve.

Valve box and cover (CIV) core and center over downstream 6" gate valve.



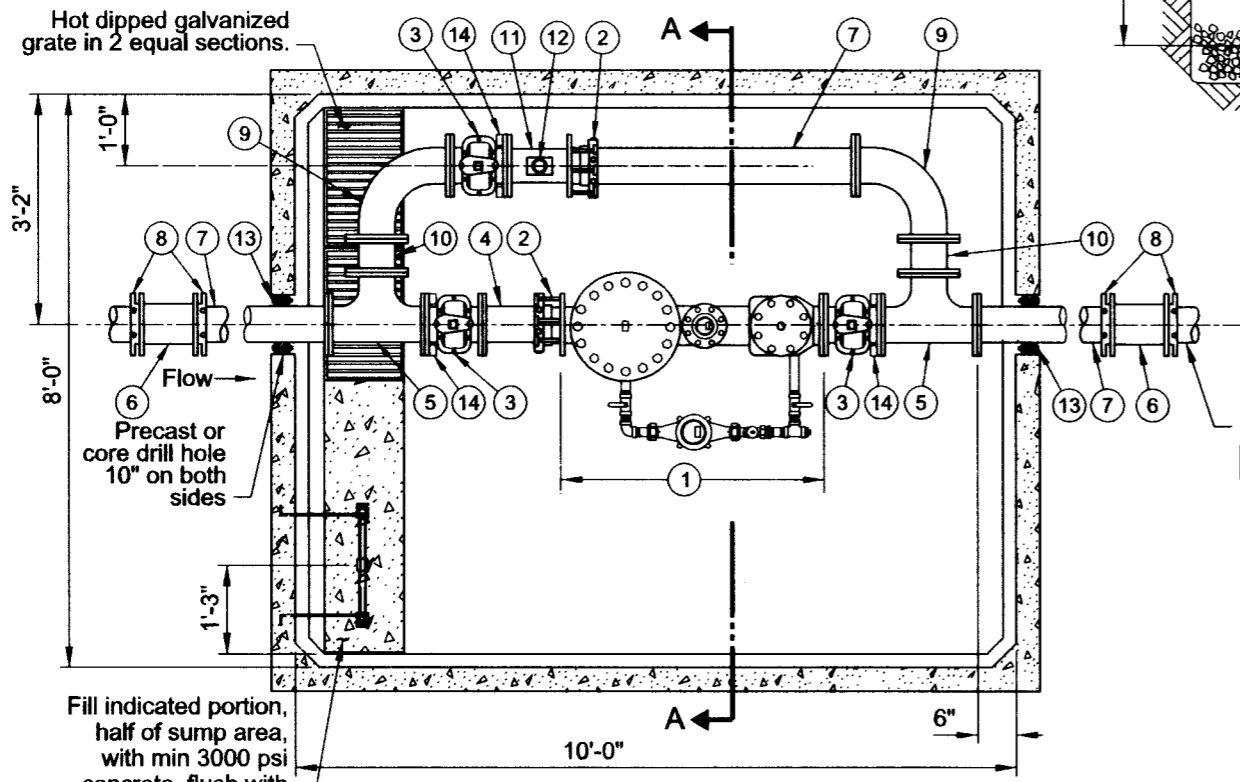
Vault Top Plan

3/8" = 1'-0"



Section A-A

3/8" = 1'-0"



Vault Floor Plan


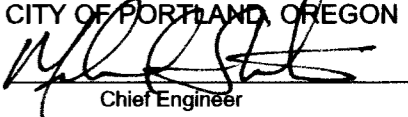
3/8" = 1'-0"

List of Parts			
Item No	Size	Qty	Description
1	6"	1	Meter, combination with test outlet
2	6"	2	Restrained dismantling assembly (Megaflange)
3	6"	3	Gate valve, FLG x FLG OL
4	6"	1	Nipple, DI FLG X PE 8"-9" long (field fit)
5	6"x6"x6"	2	Tee, DI FLG x FLG
6	6"	2	Solid sleeve, DI MJ
7	6"	3	Nipple, DI FLG X PE 48" long (field fit)
8	6"	4	Gland, wedge action retainer (Megalug)
9	6"	2	Bend, DI FLG long radius 90 degrees
10	6"	2	Spool, DI FLG x FLG 6" long
11	6"x6"x2"	1	Drip tee, FLG x FLG x FIPT
12	2"	1	Gate valve, brass with plug
13	6"	2	Seal, mechanical penetration (Link Seal LS-410-C-10)
14	6"	3	Adjustable pipe support, hot dipped galvanized
15	2"	3	Pipe, galvanized steel (field fit)
16	4"	1	Drain check valve
17		1	Ladder, galv steel with aluminum extension (field fit) (Oldcastle Precast)
18	4'-0"x4'-0"	1	Hatch, aluminum double leaf H-20 rated with hold open arm

Notes:

See General Vault Drawing (P-855) for construction and material notes.

The selection and use of this Standard Drawing, while designed in accordance with generally accepted engineering principles and practices, is the sole responsibility of the user.


PORTLAND WATER BUREAU
 CITY OF PORTLAND, OREGON

 Chief Engineer

Standard Drawing Title

6" Combination Meter with 6" Bypass in 8-10-7 Vault (In Sidewalk)

Note: All material and workmanship shall be in accordance with City of Portland Standard Construction Specifications.

Effective Date	Aug 17 2015
Calc. Book No.	PWB 1
Baseline Report Date	Aug 17 2015

Standard Drawing No.

P-876